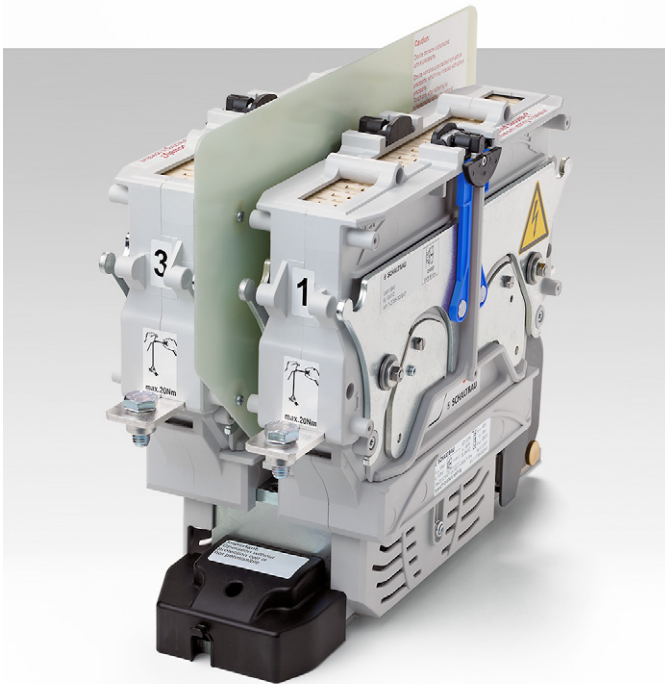


## PRODUCT INFORMATION

# CU1215/06

Double pole DC power contactors  
for central inverters



With the double pole contactors CU1215/06 Schaltbau is expanding its product range of new and innovative switching devices: Power contactors ranging up to performance class 600 A for use in PV installations.

The CU series power contactors are especially designed for central inverters in renewables-based power generation. The contactors guarantee reliable, low-wear switching of high loads. The double-coil drive reduces efficiently power consumption in continuous operation.

#### Features:

- Double-break NO contacts
- Compact, rugged design
- Double coil requires less holding power
- Low maintenance and long life

#### Standards:

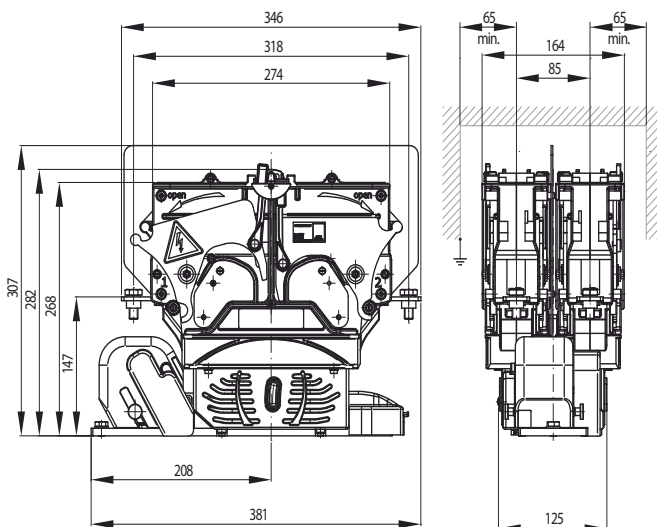
- IEC 60947-3, UL 60947-4-1

#### Applications:

Unidirectional disconnecting contactor for:

- Power supply and battery systems
- PV systems

### Dimension diagram



Dimension diagram CU1215/04

Dimensions in mm

### Specifications

Series	CU1215/06
Type of voltage	DC (unidirectional)
Main contacts	2 x NO
Nominal voltage $U_n$	1,500 V
Rated operating voltage $U_e$	1,800 V
Rated insulation voltage $U_{Nm}$	3 kV
Rated impulse withstand voltage $U_{Ni}$	15 kV
Pollution degree	PD3
Overvoltage category	OV3
Conventional thermal current $I_{th}$	600 A
Auxiliary contacts	1 x S870 (a <sub>1</sub> ), 1 x S870 (b <sub>0</sub> ), 2 x S826 or 4 x S826
Coil voltage $U_s$	24 / 36 / 72 / 110 V DC
Power consumption	Pull-in: approx. 150 W / holding: approx. 10 W
Mounting position	horizontal / vertical
Temperature	-40° C ... +70° C
Mechanical / electrical endurance	> 2 million cycles / > 25,000 cycles